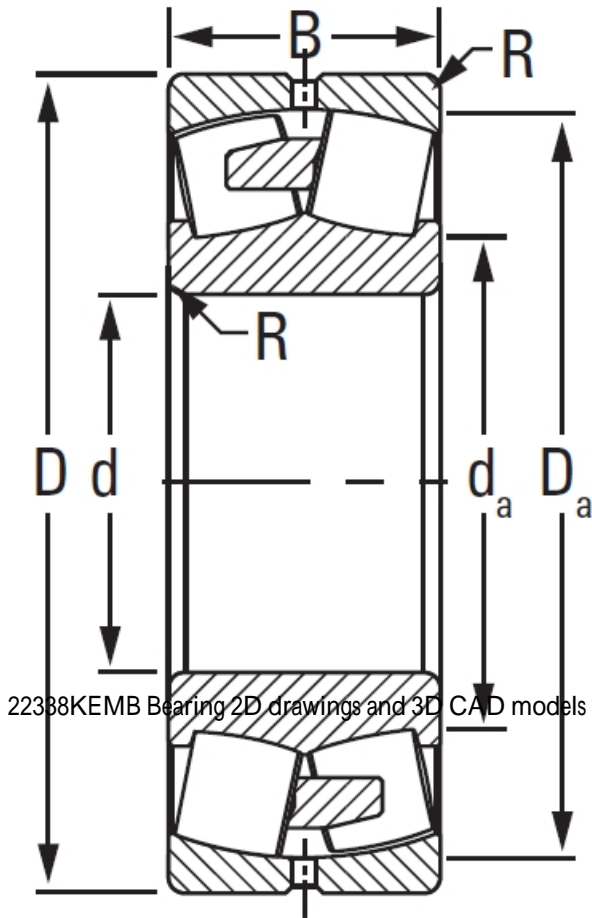




KRF bearing Co., Ltd

22338KEMB TIMKEN Tapered Roller Bearings Tapered Single Metric

Bearing No. 22338KEMB



22338KEMB Bearing 2D drawings and 3D CAD models

Design Unit	METRIC
Bore Taper	1/12
Bearing Weight	80.900 Kg
Cage Type	EMB
Cage Material	Brass
Superseded Part	22338KYMB
d	190.000 mm
D	400.000 mm
B - Inner Ring Width	132 mm
B - Outer Ring Width	132.000 mm
R - Inner Ring To Clear Radius ¹	4.000 mm
r - Outer Ring To Clear Radius ²	4.000 mm
da - Inner Ring Backing Diameter	245.000 mm
Da - Outer Ring Backing Diameter	361.000 mm
C0 - Static Radial Rating	2830000 N
C1(2) - Dynamic Radial Rating (Two-Rows)	2380000 N
e - ISO Factor ³	0.32
Y0 - ISO Factor ⁴	2.12
Y1 - ISO Factor ⁵	3.15
Y2 - ISO Factor ⁶	2.07
Reference Thermal Speed Rating (Grease)	1100



KRF bearing Co., Ltd

Reference Thermal Speed Rating (Oil) ⁷	1200
Cg - Geometry Factor ⁸	0.1021