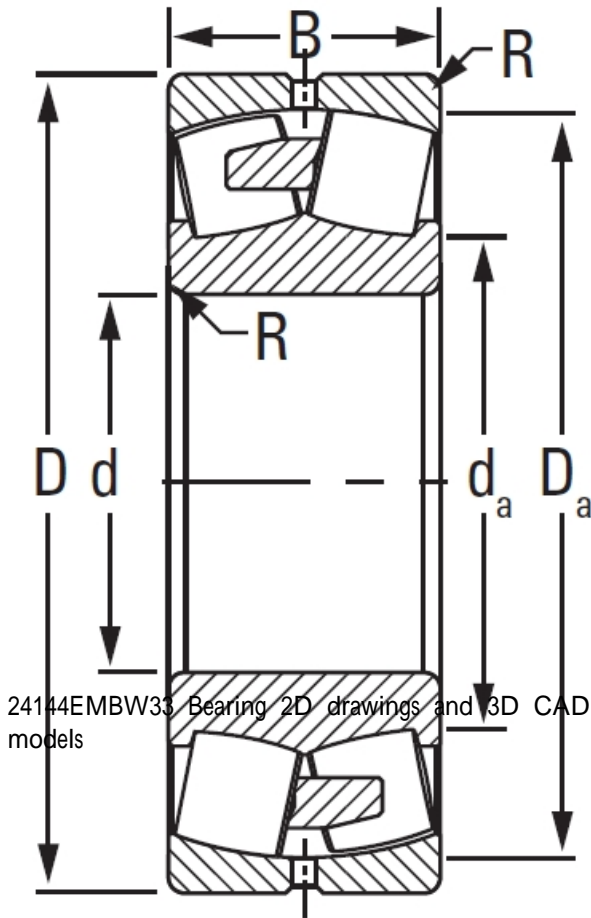




KRF bearing Co., Ltd

24144EMBW33 TIMKEN Tapered Roller Bearings Tapered Single Metric

Bearing No. 24144EMBW33



24144EMBW33 Bearing 2D drawings and 3D CAD models

Design Unit	METRIC
Bearing Weight	65 Kg
Cage Type	EMB
UPC Code	087796208919
Cage Material	Brass
Superseded Part	24144YMBW33
d	220 mm
D	370 mm
B - Inner Ring Width	150 mm
B - Outer Ring Width	150.000 mm
R - Inner Ring To Clear Radius ¹	3.0 mm
r - Outer Ring To Clear Radius ²	3.0 mm
da - Inner Ring Backing Diameter	248.000 mm
Da - Outer Ring Backing Diameter	337.000 mm
C0 - Static Radial Rating	3220000 N
C1(2) - Dynamic Radial Rating (Two-Rows)	2250000 N
e - ISO Factor ³	0.36
Y0 - ISO Factor ⁴	1.86
Y1 - ISO Factor ⁵	2.77
Y2 - ISO Factor ⁶	1.82
Reference Thermal Speed Rating (Grease)	720



KRF bearing Co., Ltd

Reference Thermal Speed Rating (Oil) ⁷	780
Cg - Geometry Factor ⁸	0.1027