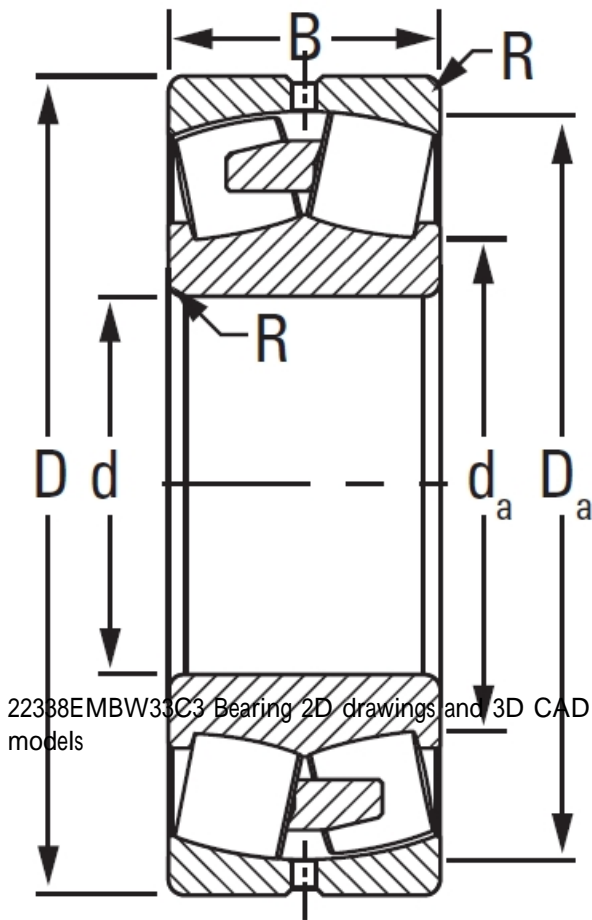




KRF bearing Co., Ltd

22338EMBW33C3 TIMKEN Tapered Roller Bearings Tapered Single Metric

Bearing No. 22338EMBW33C3



22338EMBW33C3 Bearing 2D drawings and 3D CAD models

Design Unit	METRIC
Bearing Weight	80.900 Kg
Cage Type	EMB
UPC Code	087796027886
Cage Material	Brass
Superseded Part	22338YMBW33C3
d	190.000 mm
D	400.000 mm
B - Inner Ring Width	132 mm
B - Outer Ring Width	132.000 mm
R - Inner Ring To Clear Radius ¹	4.000 mm
r - Outer Ring To Clear Radius ²	4.000 mm
da - Inner Ring Backing Diameter	245.000 mm
Da - Outer Ring Backing Diameter	361.000 mm
C0 - Static Radial Rating	2830000 N
C1(2) - Dynamic Radial Rating (Two-Rows)	2380000 N
e - ISO Factor ³	0.32
Y0 - ISO Factor ⁴	2.12
Y1 - ISO Factor ⁵	3.15
Y2 - ISO Factor ⁶	2.07
Reference Thermal Speed Rating (Grease)	1100



KRF bearing Co., Ltd

Reference Thermal Speed Rating (Oil) ⁷	1200
Cg - Geometry Factor ⁸	0.1021