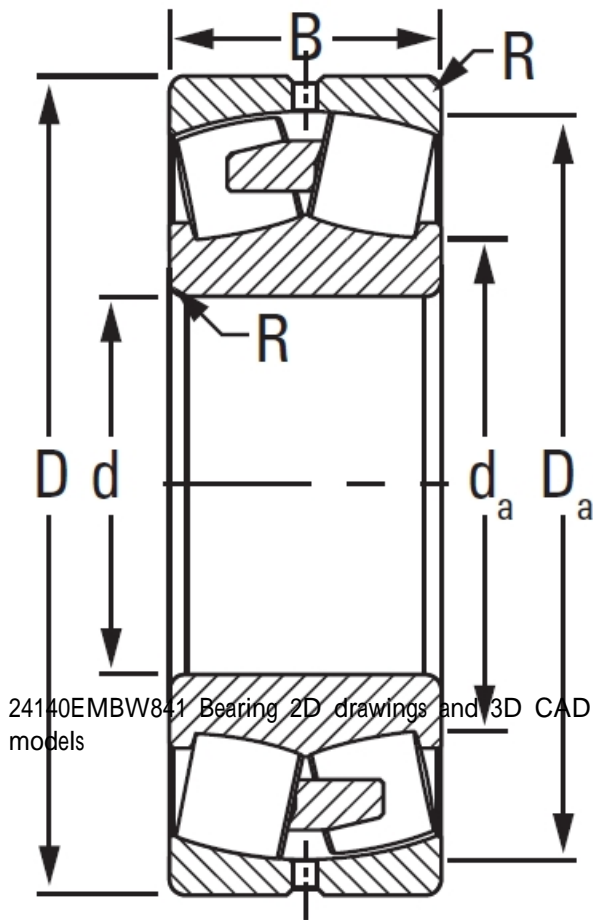




# KRF bearing Co., Ltd

## 24140EMBW841 TIMKEN Tapered Roller Bearings Tapered Single Metric

Bearing No. 24140EMBW841



24140EMBW841 Bearing 2D drawings and 3D CAD models

Design Unit	METRIC
Bearing Weight	52.1 Kg
Cage Type	EMB
UPC Code	087796144392
Cage Material	Brass
Superseded Part	24140YMBW841
d	200 mm
D	340.000 mm
B - Inner Ring Width	140 mm
B - Outer Ring Width	140.000 mm
R - Inner Ring To Clear Radius <sup>1</sup>	2.500 mm
r - Outer Ring To Clear Radius <sup>2</sup>	2.500 mm
da - Inner Ring Backing Diameter	226.000 mm
Da - Outer Ring Backing Diameter	308.000 mm
C0 - Static Radial Rating	2930000 N
C1(2) - Dynamic Radial Rating (Two-Rows)	2030000 N
e - ISO Factor <sup>3</sup>	0.39
Y0 - ISO Factor <sup>4</sup>	1.74
Y1 - ISO Factor <sup>5</sup>	2.59
Y2 - ISO Factor <sup>6</sup>	1.7
Reference Thermal Speed Rating (Grease)	790



## KRF bearing Co., Ltd

Reference Thermal Speed Rating (Oil) <sup>7</sup>	850
Cg - Geometry Factor <sup>8</sup>	0.097