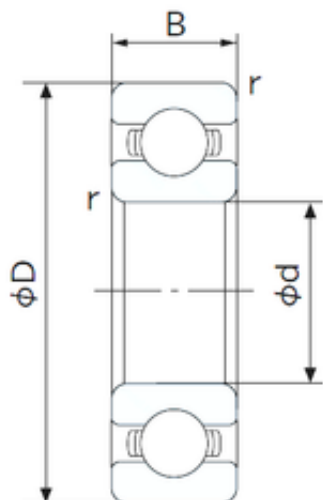




# KRF bearing Co., Ltd



6207 2RS C3- O&Kai Z1V1 Z2V2 Z3V3 ISO  
 Deep Groove Ball Bearing SKF NSK NTN NACHI  
 Koyo FAG OEM

Bearing No. 6207

6207 Bearing 2D drawings and 3D CAD models

Size	35x72x17 mm
Bore Diameter	35 mm
Outer Diameter	72 mm
Width	17 mm
d	35 mm
D	72 mm
B	17 mm
C	17 mm
r min.	1.1 mm
da min.	42 mm
Da max.	65 mm
ra max.	1.0 mm
Weight	0.288 Kg
Basic dynamic load rating (C)	25,7 kN
Basic static load rating (C0)	15,3 kN
(Grease) Lubrication Speed	9000 r/min
Category	Single Row Ball Bearings
Inventory	0.0
Manufacturer Name	NACHI
Minimum Buy Quantity	N/A
Weight / Kilogram	0
Product Group	B00308
Enclosure	Open
Precision Class	ABEC 1   ISO P0



## KRF bearing Co., Ltd

Maximum Capacity / Filling Slot	No
Rolling Element	Ball Bearing
Snap Ring	No
Internal Special Features	No
Cage Material	Steel
Internal Clearance	C0-Medium
Inch - Metric	Metric
Long Description	35MM Bore; 72MM Outside Diameter; 17MM Outer Race Width; Open; Ball Bearing; ABEC 1   ISO P0; No Filling Slot; No Snap Ring; No Internal Special Features; C0-Medium Internal Clearance; Steel Cage
Other Features	Deep Groove
Category	Single Row Ball Bearing
UNSPSC	31171504
Harmonized Tariff Code	8482.10.50.68
Noun	Bearing
Keyword String	Ball
Manufacturer URL	<a href="http://www.nachiamerica.com">http://www.nachiamerica.com</a>
Outer Race Width	0.669 Inch   17 Millimeter
Inner Race Width	0 Inch   0 Millimeter
Outside Diameter	2.835 Inch   72 Millimeter
Bore	1.378 Inch   35 Millimeter
Bore Type	Cylindrical Bore
Configuration	Single Row
Bore Size	35 mm
Width	17 mm
Fillet Radius/Chamfer	1.1 mm
Dynamic Load Rating	25,700 N



## KRF bearing Co., Ltd

Static Load Rating	15,300 N
Limiting Speed - Grease	9,800 rpm
Limiting Speed - Oil	11,000 rpm
Factor $f_0$	13.8
Radial Clearance	0.006 to 0.020 mm
da (min)	42 mm
Da (max)	65 mm
ra (max)	1 mm